



GRIP Head office (Jinsung Eurotec co., ltd.)

#817 Daerung technotown 12nd Gasandigital 2 ro 14 Geumcheon-gu Seoul Republic of korea.

GRIP Factory

#b101-201 397 Seckcheon-ro Buchun-si Gyeonggi-do Republic of Korea

Tel.+82 32 624 0907~8

Fax.+82 32 624 0909

gripperfect@gmail.com

www.gripkorea.com



HYDRO-ZERO EXTENSION

Zero run-out setting connection holder.

New!!

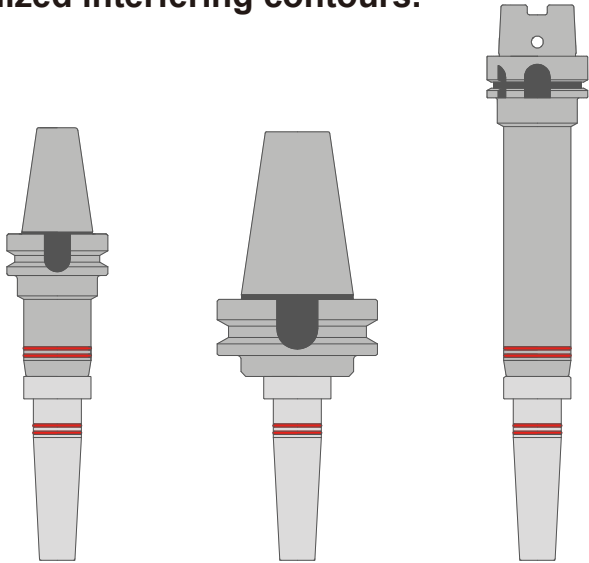
New product line-up



HYDRO-ZERO EXTENSION

= A slim type connection holder.

Save costs on the fabrication of expensive special tools.
Optimized interfering contours.

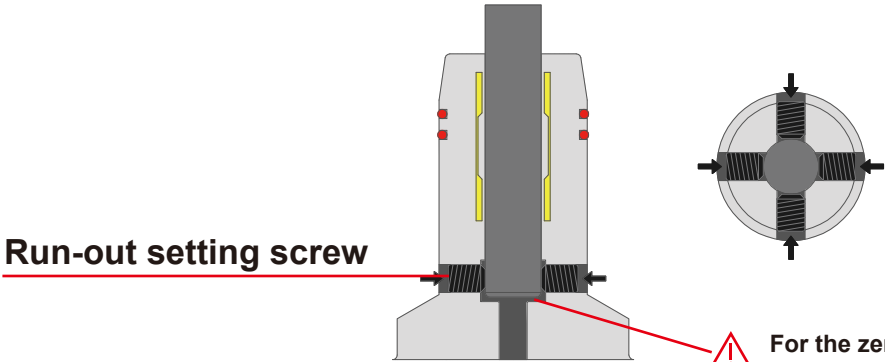


= Response various tool shank by using a Hydro-sleeve.



= ZERO Run-Out setting.

4pcs screws in 90 degree direction
for Run-out setting for more precise work.



! For the zero-fit function to work properly,
the bottom of the holder must not be in
contact with the tool.



ZERO
EXTENSION

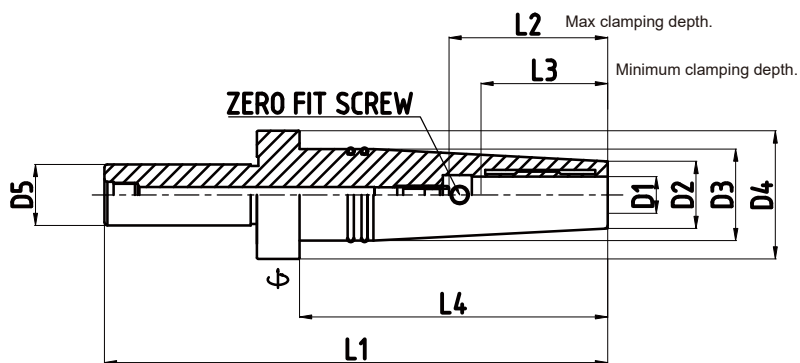
Dimensions(mm)

ST20		D1	D2	D3	D4	D5	L1	L2	L3	L4	Clamping wrench	Adjustment bolt (wrench)	Kg.
ST20/ZEX6/165	●	6	16	24	42	20	165	41	31	101	TR-4.0	M5x0.8(T-2.5)	0.5
ST20/ZEX8/165	●	8	18	26	42	20	165	41	31	101	TR-4.0	M6x1.0(T-3.0)	0.5
ST20/ZEX10/165	●	10	20	28	42	20	165	48	38	101	TR-4.0	M8x1.0(T-4.0)	0.6
ST20/ZEX12/165	●	12	22	30	42	20	165	53	43	101	TR-4.0	M10x1.0(T-5.0)	0.7
ST20/ZEX16/165	●	16	26	28	42	20	165	58	48	101	TR-4.0	M12x1.0(T-6.0)	0.8
ST20/ZEX20/165	●	20	29	31.5	42	20	165	58	48	101	TR-5.0	M16x1.0(T-6.0)	0.8
ST20/ZEX20/215	●	20	29	31.5	42	20	215	58	48	151	TR-5.0	M16x1.0(T-6.0)	1.2

Availability: ● Stock ▲ Short lead time ○ Made to order

- »h6 shank tools must be used.
- »Tool length can be adjusted up to 10mm.
- »T-wrench is must be ordered separately. (GRIP torque wrench is recommended.)
- »If you use the ZERO-FIT function, you cannot use the hydro-sleeve.
- »All products center through coolant system.
- »Additional sizes and special designs available on request.

⚠ The minimum tool depth must be observed.



ST20